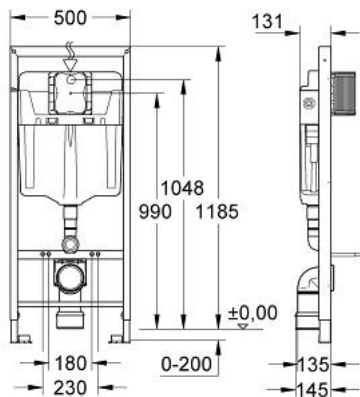


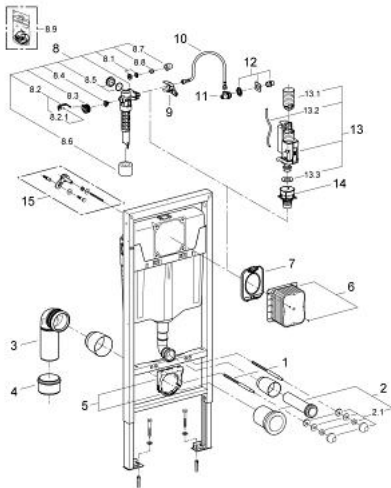
38 528 000 **RAPID SL** **FOR WALL-HUNG WC**



PRODUCT DESCRIPTION

- flushing cistern GD 2, 6 - 9 l
- 1.20 m installation height
- for on-the-wall installations or studed walls
- powder coated steel frame, self-supporting
- for dry-cladding, completely pre-assembled
- with fixed connections
- quick adjustment, lockable
- fixing material
- TÜV approved
- 2 WC fixing bolts
- fixing device for ceramic
- distance of fixing bolts 180/230 mm
- outlet bend \varnothing 80 mm
- depth adjustable
- reducer \varnothing 80/100 mm
- inlet and outlet connecting set
- pneumatic discharge valve offering 3 modes of operation: dual flush or start/stop or single flush
- water supply from left/right/back or top
- low noise (group I acc. to German Noise Specification)
- insulated against condensation
- $\frac{1}{2}$ " water supply connection including integrated angle valve and push fit flexible hose union
- inspection shaft with protecting block, for vertical or horizontal use
- without accessories for on-the-wall installation
- without wall plate/actuation
- GROHE Water Saving - Less water, perfect flow

38 528 000 RAPID SL FOR WALL-HUNG WC



SPARE PARTS, April 2008 – now

- 1: Threaded bolt (Order-nr. 4276400M)
- 2: WC inlet and outlet connecting set (Order-nr. 37311K00)
- 2.1: Basin fastening (Order-nr. 43511SH0)
- 2.2: Connector (Order-nr. 37119000)
- 3: PP-outlet bend Ø 90 mm (Order-nr. 42327000)
- 4: 4" Outlet Adaptor F Rapid Sl (Order-nr. 42242000)
- 5: Support for outlet bend (Order-nr. 42243000)
- 6: inspection shaft.for GD2 in Rapid SL (Order-nr. 42324000)
- 7: Protective plate (Order-nr. 42231000)
- 8: Filling valve (Order-nr. 37095000)
- 8.1: Lever (Order-nr. 43734000)
- 8.1.1: Ball seal dia. 9x6.8 mm (Order-nr. 4377000M)
- 8.2: Valve head (Order-nr. 43536000)
- 8.3: Membrane (Order-nr. 4375800M)
- 8.4: Screw cap (Order-nr. 43735000)
- 8.5: Valve float, 5 pcs. (Order-nr. 4379100M)
- 8.6: Repl. kit f. seal (Order-nr. 43722000)*
- 9: Support device (Order-nr. 42246000)
- 10: Tube (Order-nr. 42233000)
- 10.1: Seat washer (Order-nr. 0319100M)
- 11: Service valve (Order-nr. 42235000)
- 12: Water supply (Order-nr. 42234000)
- 13: AV1 complete wiht pipe extension (Order-nr. 42320000)
- 13.1: Extension for overflow pipe (Order-nr. 42313000)
- 13.2: pneumatic hose (Order-nr. 42319000)
- 13.3: Ball seal dia. 9x6.8 mm (Order-nr. 42310000)
- 14: Valve seat for GD2 (Order-nr. 42315000)
- 15: Wall union (Order-nr. 3855800M)*

* Optional accessories